

INSTALLATION MANUAL



Mercedes CDI

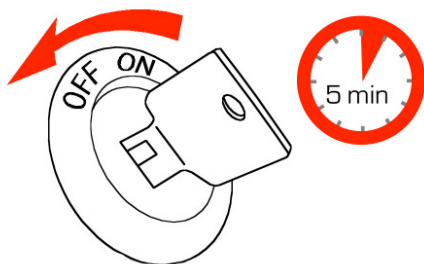
200 / 220 / 250

The product described in the guidance was developed, manufactured and controlled considering the necessary safety requirements. The product must be appropriately installed to exclude and a perfect and safe function mode to ensure. Please read the installation guide, inclusiv safety guide, carefully

Before installing the tuningbox , controll if everything is in the package.

Scope of supply:

Quantaty	Designation
1x	Chiptuning Box
1x	Cable loom
1x	Jumper plug 24polig
1x	Cabel straps



1. Turn the ignition off!
2. Take the ignition key off!
3. Lock all vehicle doors!
4. Do not open the vehicle doors during the installation!
5. Wait at least 5 minutes before you begin to install.



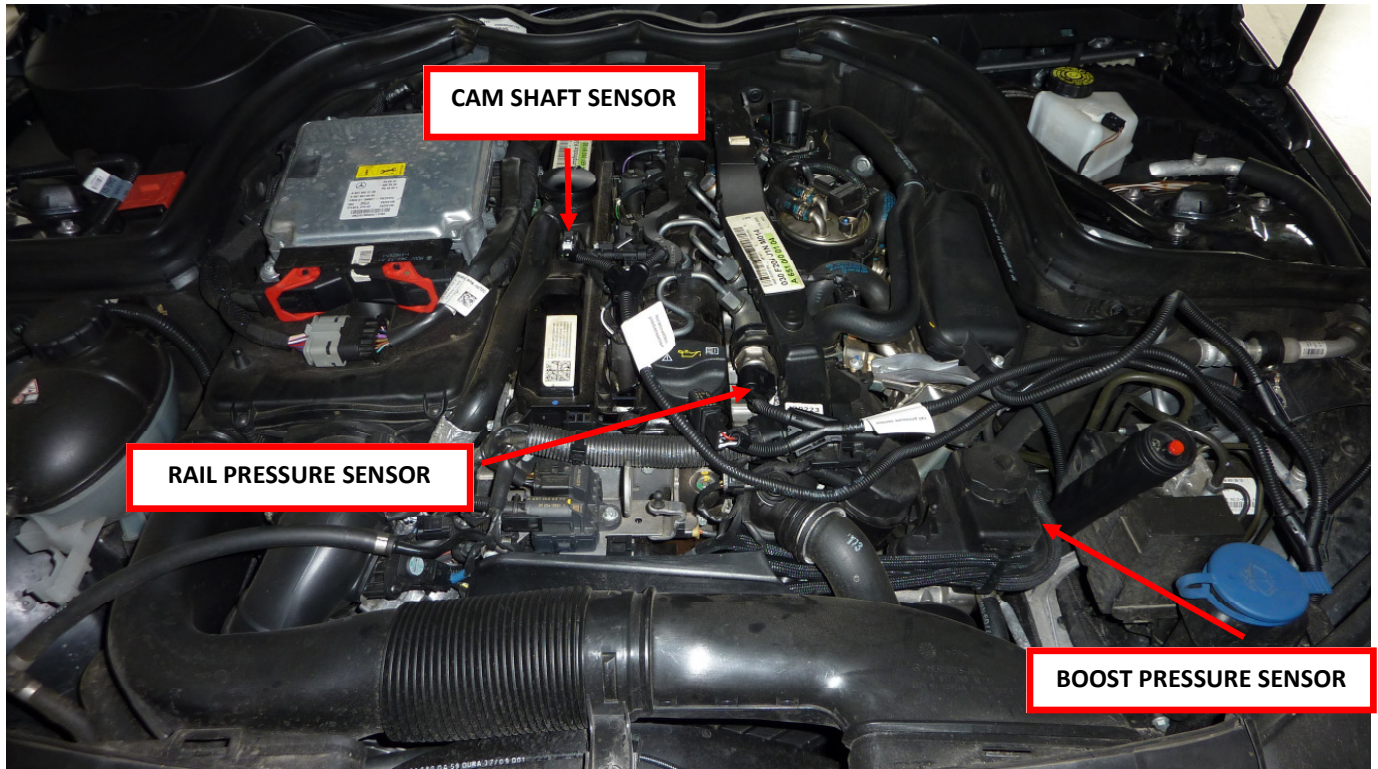
In order to avoid damages at electronic vehicle components, you have to be sure that you have done all necessary methods for electrostatic discharge . Install the electronic in an waterproof and vibrationless place. Do not make any changes at the tuning-kit! Do not expand or short the loom.

INSTALLATION MANUAL



Mercedes CDI

200 / 220 / 250



Overview:

The Chiptuning box is attached to the following points:

- Rail pressure sensor
- Boost pressure sensor
- Cam shaft sensor

Necessary tools:

- no

Preparation:

- Move the individual strands of the cable loom to the associated plug connectors
- Put the necessary tool for the side (if needs)
- Put the mounting material to the side

INSTALLATION MANUAL



14102189

Mercedes CDI

200 / 220 / 250

Attach at the rail pressure sensor

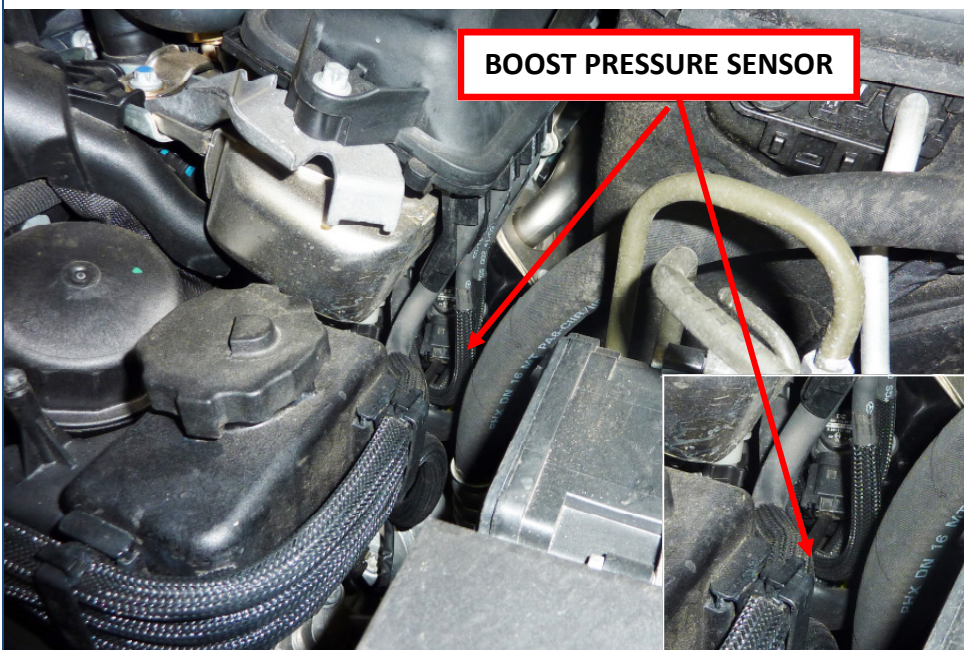


-Solve the plug connector of the rail pressure sensor plug from the rail pressure sensor.

Putting it now between this separate plug connector the appropriate plug of the cable loom provided.

- The appropriate plug of the cable loom provided is fastened now directly to the sensor.

Attach at the boost pressure sensor



-Solve the plug connector of the boost pressure sensor plug from the boost pressure sensor.

Putting it now between this separate plug connector the appropriate plug of the cable loom provided.

- The appropriate plug of the cable loom provided is fastened now directly to the sensor.

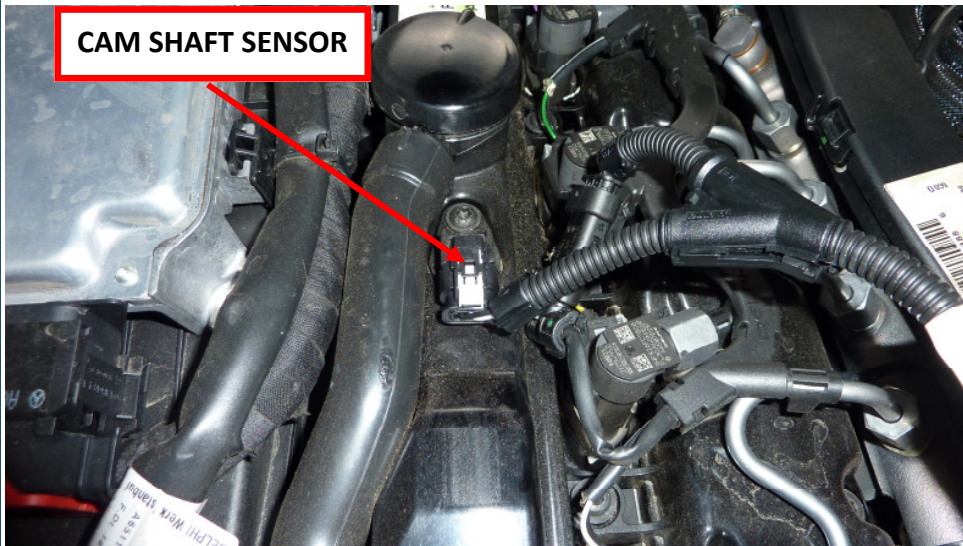
INSTALLATION MANUAL



Mercedes CDI

200 / 220 / 250

Attach at the cam shaft sensor

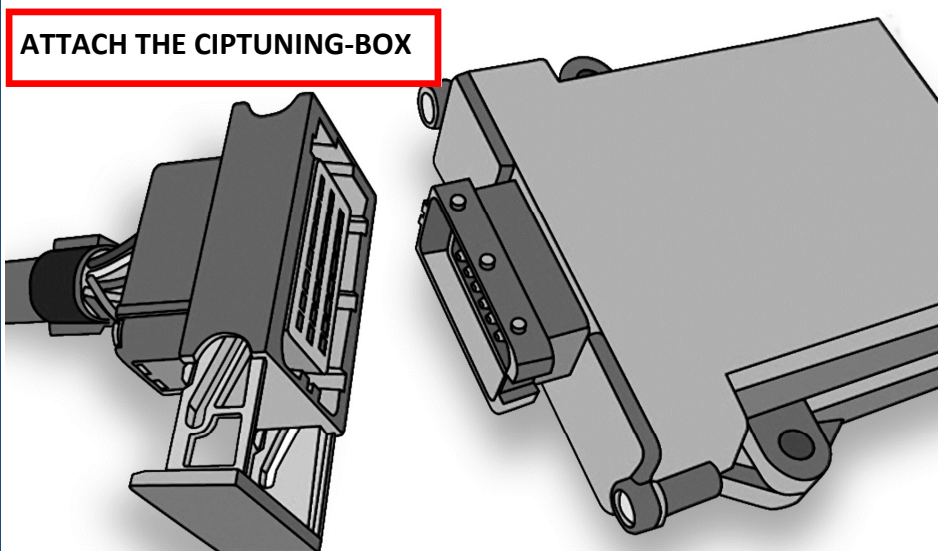


-Solve the plug connector of the Cam shaft sensor plug from the cam shaft sensor.

Putting it now between this separate plug connector the appropriate plug of the cable loom provided.

- The appropriate plug of the cable loom provided is fastened now directly to the sensor.

Attach the Chiptuning-Box



-Moving it the cable toward a suitable location.

-The plugs must engage, so that a safe connection is ensured.

-Fixing it the cable with cable straps

- Finally you connect the Chiptuning box with the new cable loom.